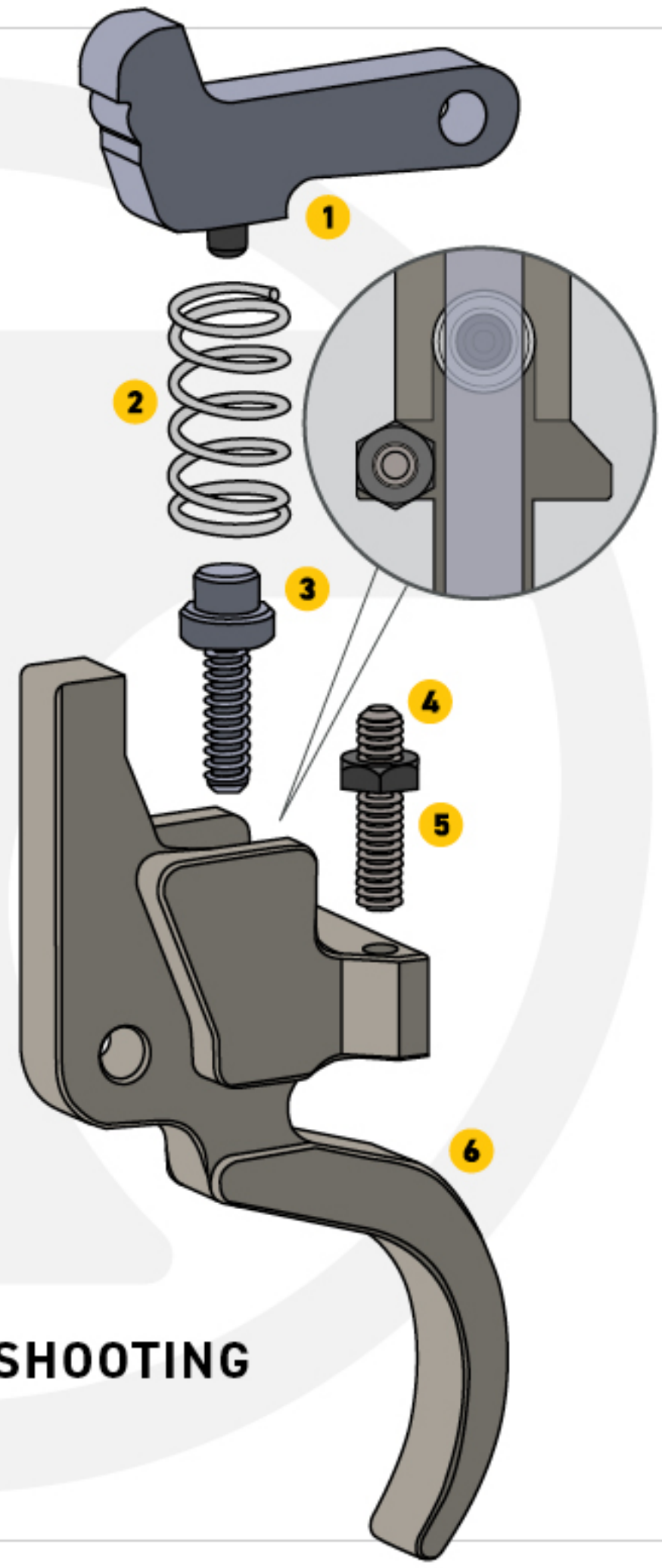


# RUGER MKII PART ID

- 1** Sear
- 2** Spring
- 3** Pullweight Adjustment Screw and Nut
- 4** Over Travel Adjustment Screw
- 5** Over Travel Adjustment Nut
- 6** Trigger



**IF YOU HAVE TROUBLE  
CHECK OUT OUR TROUBLESHOOTING  
STEPS OR CONTACT US.**