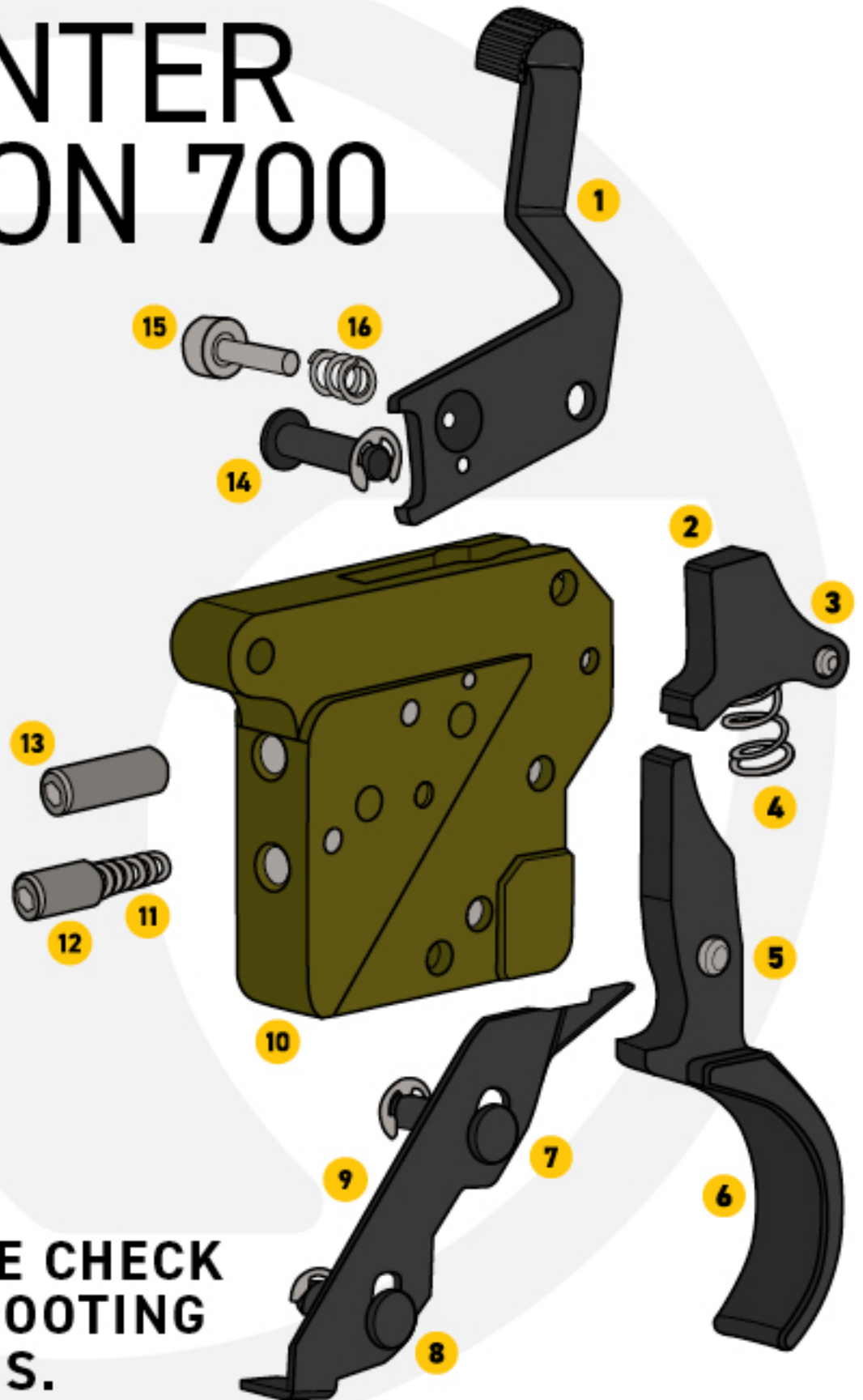


# ELITE HUNTER REMINGTON 700 PART ID

- |          |                        |           |                        |
|----------|------------------------|-----------|------------------------|
| <b>1</b> | Safety                 | <b>9</b>  | Bolt Stop              |
| <b>2</b> | Sear                   | <b>10</b> | Housing                |
| <b>3</b> | Sear Pivot Pin         | <b>11</b> | Pullweight Spring      |
| <b>4</b> | Sear Return Spring     | <b>12</b> | Pullweight Set Screw   |
| <b>5</b> | Sear Pivot Pin         | <b>13</b> | Over Travel Set Screw  |
| <b>6</b> | Trigger Shoe           | <b>14</b> | Bolt Stop Cross Pin #2 |
| <b>7</b> | Bolt Stop Cross Pin #1 | <b>15</b> | Safety Plunger         |
| <b>8</b> | Bolt Stop Cross Pin #3 | <b>16</b> | Safety Plunger Spring  |



**IF YOU HAVE TROUBLE CHECK  
OUT OUR TROUBLESHOOTING  
STEPS OR CONTACT US.**