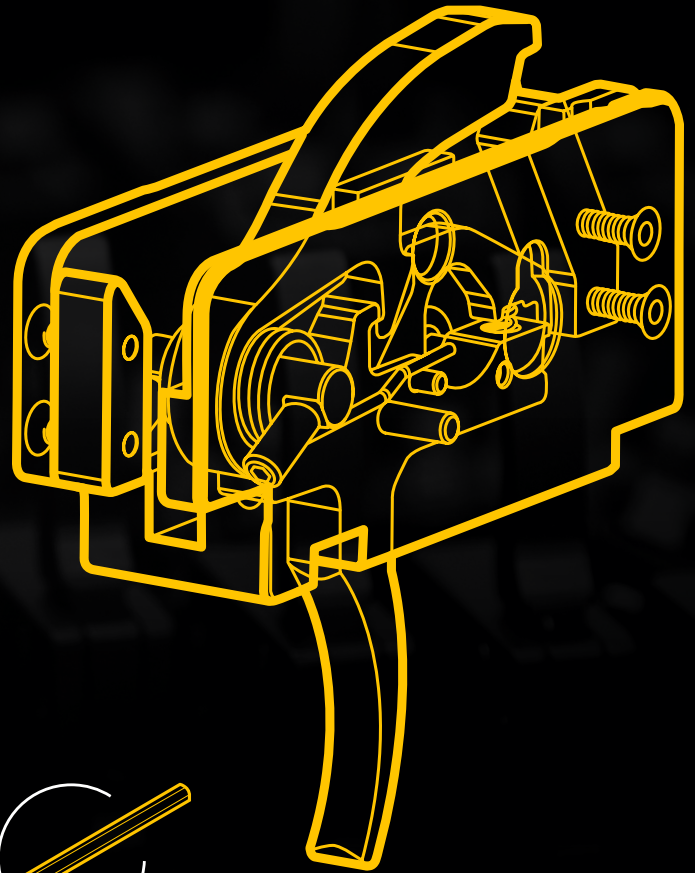


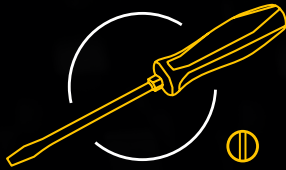


HK MP5 TWO-STAGE TRIGGER INSTALLATION INSTRUCTIONS

Thank you for purchasing this Timney Trigger. It has been designed and manufactured to provide you with a lifetime of dependable service. Each trigger is hand tested and calibrated on an action specific to your platform before leaving our factory. Please read these instructions fully before you begin installing the trigger, you'll be glad you did.



TOOLS NEEDED:



Standard
Slotted Screwdriver



Straight Punch

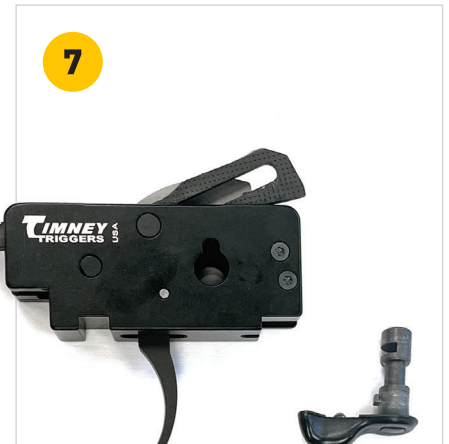
TIMNEY TRIGGER GUARANTEE

Material and workmanship: This Timney trigger has been carefully inspected, tested and adjusted to give a lifetime of dependable service. Every possible care has been exercised in its design and construction. If any defect in workmanship or material should develop under conditions of normal use and service, any necessary repairs, including parts and labor will be made at NO CHARGE to the purchaser providing that our inspection reveals parts were not damaged through accident, alteration, misuse, abuse or other causes beyond our control. We neither assume nor imply any oral or statutory warranties, and we neither assume nor authorize any person to assume for us any obligation or liability in connection with this trigger. Repairs or disassembly of this trigger in any manner without specific authorization, voids the guarantee.

**IF YOU HAVE TROUBLE CHECK OUT TROUBLESHOOTING STEPS ON
WWW.TIMNEYTRIGGERS.COM OR CONTACT US**

As a service to our customers, Timney will install your Timney Trigger for \$30.00 plus \$8.00 shipping and handling.
Mail: 2020 W Quail Ave, Phoenix AZ. 85027 Phone: 623-223-1111 Fax: 623-223-1112 Support: technicalsupport@timneyusa.com

INSTALLATION INSTRUCTIONS



- NOTE:** The MP5 Timney Trigger fits both Pistol Caliber and Rifle versions. Pistol Calibers have one locking pin, while Rifle versions have two locking pins.
- 1** Remove magazine from firearm and double check to ensure the chamber is empty.
- 2** Remove the stock by removing the locking pins, then pivot out the pistol grip.
- 3** Cock the hammer and rotate the safety to the 12 o'clock position, at this point you can remove the safety. Once the safety has been removed, remove the stock trigger unit.
- 4** To release the ejector from the stock trigger housing, push down on the front ejector pin and set aside.

- 5** Remove the ejector and the spring from the stock trigger housing.
- 6** Reinstall the ejector and spring into your new Timney Trigger by following step 4 in reverse.
 - A. Once ejector has been installed, ensure it moves freely and does not bind.
- 7** To install your new Timney Trigger, you must ensure the hammer is cocked to allow the safety to be inserted. Once the safety is inserted replace it to the "safe" position.
- 8** Reinstall the pistol grip into the stock, and reassemble the stock.
- 9** You are now ready to enjoy your new Timney Trigger!

IF YOU HAVE TROUBLE CHECK OUT OUR TROUBLESHOOTING STEPS ON WWW.TIMNEYTRIGGERS.COM OR CONTACT US



SCAN HERE

MADE IN THE USA 